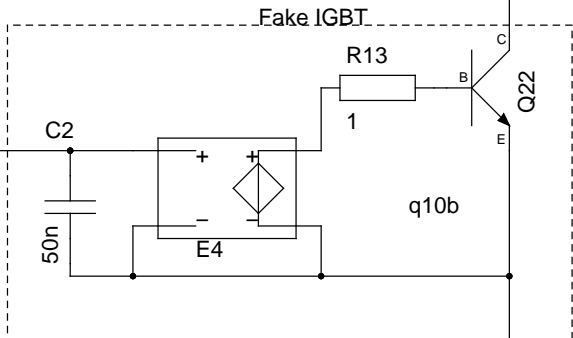
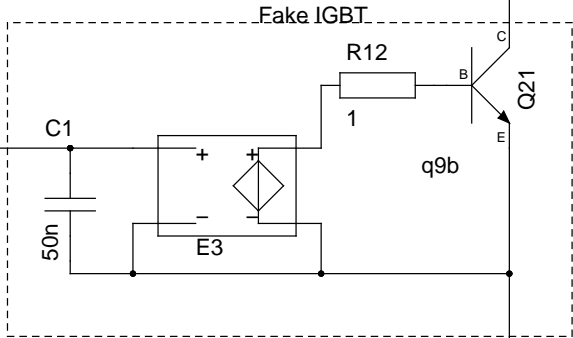


$V = I \times R$   
 $I = V / R$   
 $I = 300 / 400k$   
 $I = 300 / 400\ 000$   
 $I = 0.00075$   
 $I = 750uA$   
 $P = V \times V / R$   
 $P = 300 \times 300 / 400\ 000$   
 $P = 211.11mW$

$V = I \times R$   
 $I = V / R$   
 $I = 300 / 300k$   
 $I = 300 / 300\ 000$   
 $I = 0.001$   
 $I = 1mA$   
 $P = V \times V / R$   
 $P = 300 \times 300 / 300\ 000$   
 $P = 0.3W$



script SPICE directive slice=50n end=50u plots=pwm out I(V\_llow) I(V\_lhigh) I(V\_lout)